



# MULTIPOINT™ TERMINAL UNITS

## CEILING PENDANTS M-GL

**Ceiling pendants in operating rooms, intensive care wards, emergency rooms ensure:**

Comfortable placement and operative positioning of life-support and controlling devices

Convenient handling of medical gases, compressed air, vacuum, low-voltage signals delivery to the patient's bed

Most useful usage of space around the operating table, patient's bed, ensuring free access to life-support and control devices

**Fixed position  
ceiling pendants with one axis rotation**

**For emergency rooms, intensive care wards and small operating rooms**



- Can be equipped with:
- shelves with railings for suspended devices
- Shelf for the monitor
- I.V. Pole for infusion fluid bags and pumps
- examination lights
- bedside screen

### M-GL03 TECHNICAL DATA

- Designed individually according to the height of facility
- Service head's turning angle 330 °
- Service head's length up to 1,5 m
- Maximum load 260 kg





M-GL06 One arm ceiling pendant



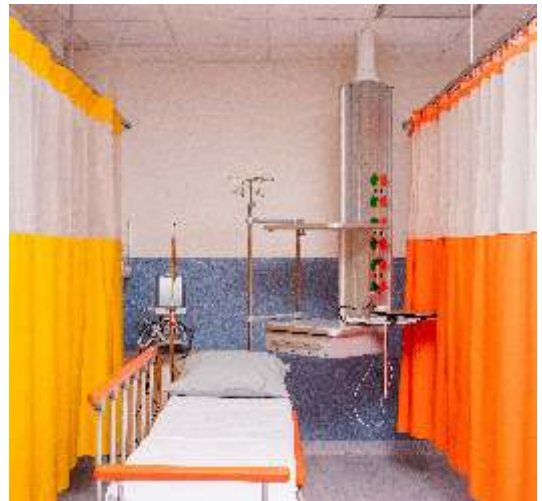
### TYPICAL SET OF CEILING PENDANT

- Ceiling pendant's construction with fixation elements and conical roller bearings for service head fixation
- Service head consists of:
  - up to 12 outlets for medical gas, compressed air, vacuum
  - up to 24 electric sockets
  - up to 12 equipotential pins
  - up to 6 low-voltage signal outlets
  - digital control of medical gas pressure, vacuum with alarm in case of pressure deviation
- To service head mounted:
  - up to 3 shelves with railings (560x460x35 mm or 500x400x35 mm)
  - lower shelf with drawer
  - 1 or 2 infusion holders for infusion fluid bags and pumps
  - additional shelves for monitors

Complete set of ceiling pendant is arranged by order specification



Research room for serous ill or injured patients in Emergency Center



Arrangement of ceiling pendant's in the operating room of Trauma Center

## One or two arms ceiling pendants

For anesthesia or surgery device placement in the operating rooms or intensive care wards. Ceiling pendants enable convenient placement of control and life support devices and other various medical equipment. Provides supply of medical gas, electricity and low-voltage signal to the field of surgery or place of medical procedures.

### TECHNICAL DATA

- Designed individually according to the height of facility
- Fixed arm and service head's turning angle 330°
- Fixed arm's length up to 1,2 m
- Service head's length up to 1,5 m
- Pneumatic-brakes with inversion (without absolute stop of compressed air)
- No not need to use a transitional module between ceiling and ceiling pendant's
- Maximum load 240 kg



M-GL06 One arm ceiling pendant



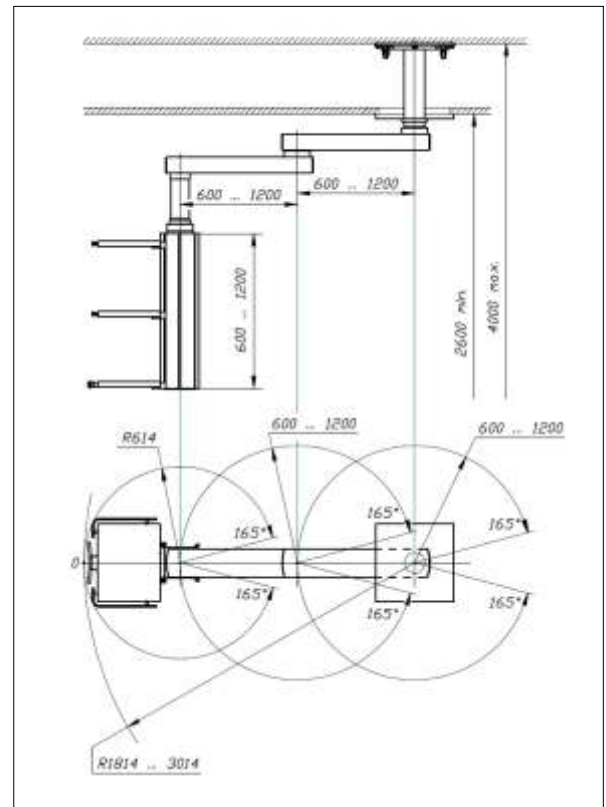
M-GL09 Two arms ceiling pendant



M-GL09H Two arms horizontal ceiling pendant



M-GL09 Two arms ceiling pendant



### One or two arms height adjustable ceiling pendants

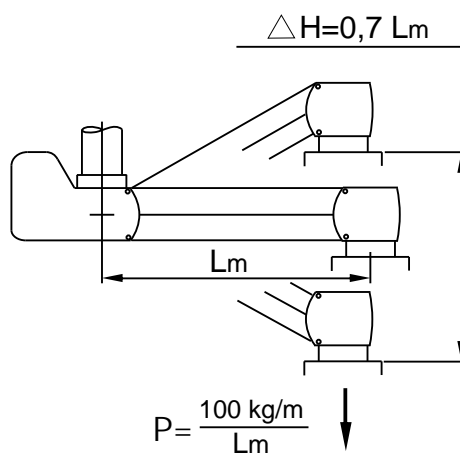
For convenient placement of anesthesia or surgical device in the operating rooms



M-GL09 Two arms height adjustable ceiling pendant

#### TECHNICAL DATA

- Designed individually according to the height of facility
- Arms length 0,5-1,2 m
- Arms and service head's turning angle 330°
- Arms with pneumobrakes
- Service head's length up to 1,0 m
- Service head's height adjustment 0,7 m
- Lifting capacity up to 140 kg



M-GL09AH



Operating room with the anesthesia workstation suspended on the M-GL09A ceiling pendant.



High adjustable ceiling pendant with hanging module for anesthesia machine or other workstations

## Twin Ceiling Pendants

For specialised intensive care wards



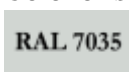
### M-GL06/09

Room for intensive care and reanimation with ceiling pendants M-GL06/M-GL09 and additional medical equipment for one patient.

- Colors of side panels:



- Color of shelves:



- Color of shoulders and carrying tubes:



2 YEARS GUARANTEE for all ceiling pendants.

Ceiling pendants are designed and manufactured in accordance with directive 93/42/EEC requirements.

Email: [mtlbi@medtech.lt](mailto:mtlbi@medtech.lt)